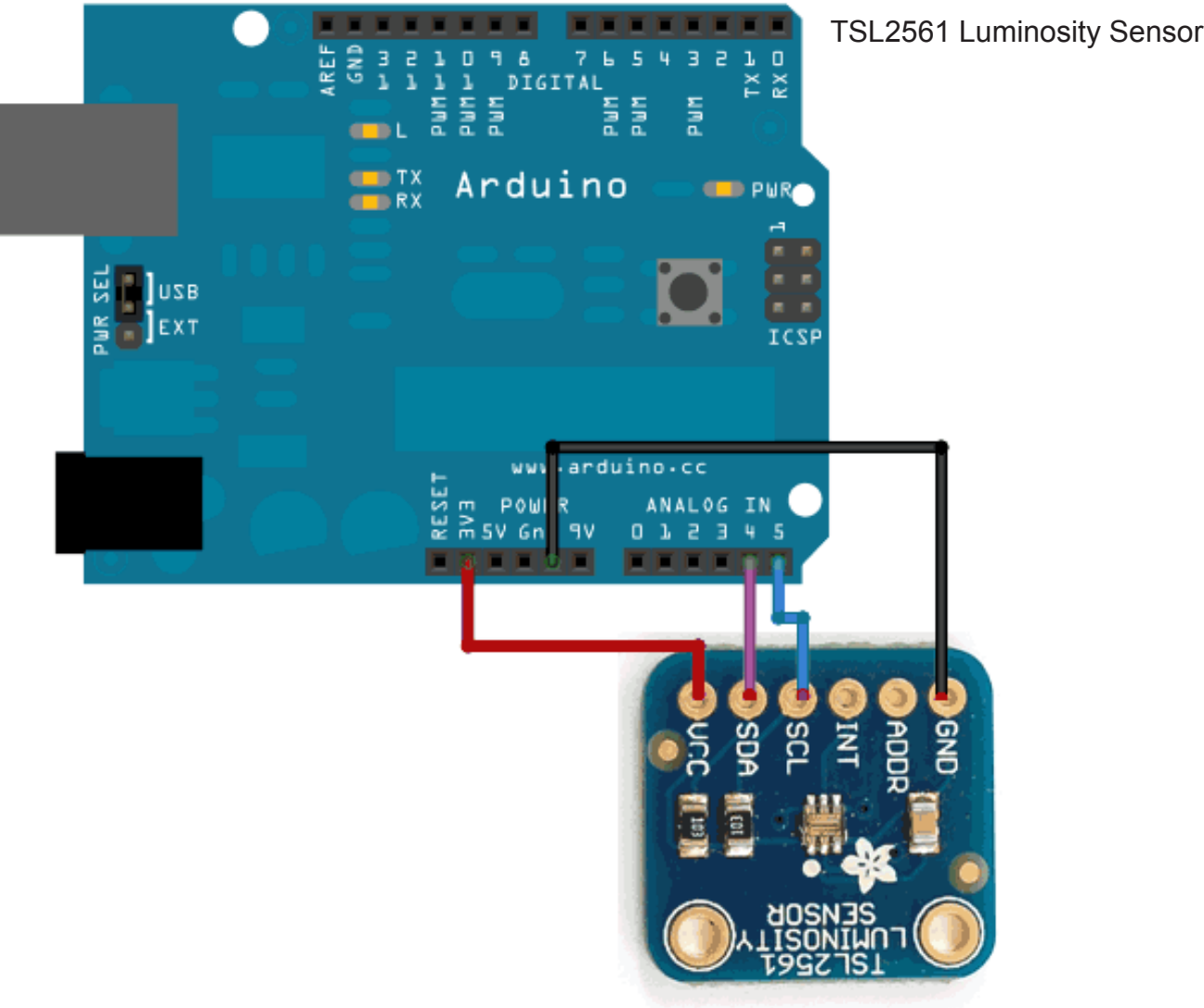
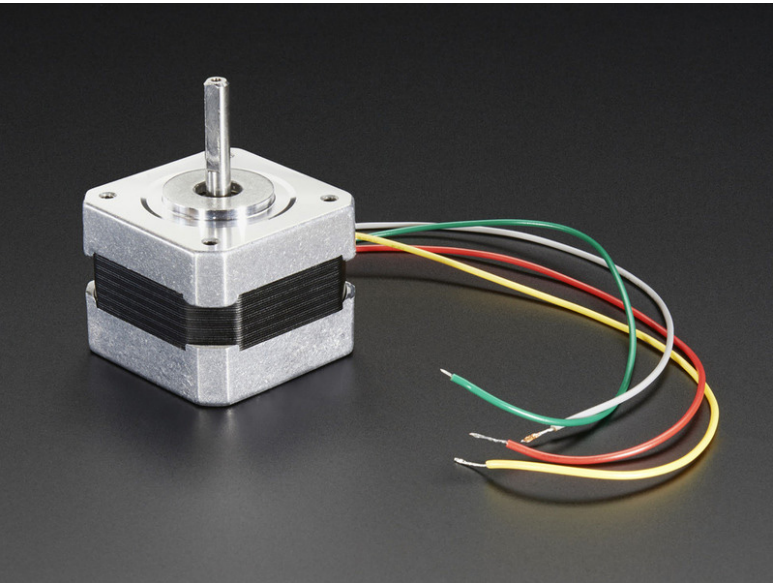


Parts & Components



TSL2561 Luminosity Sensor



Stepper Motor Driver Breakout Board

