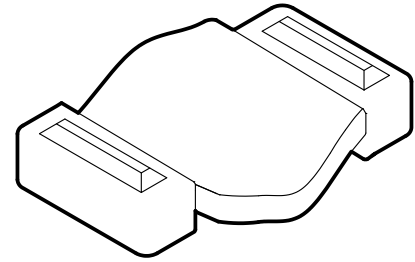
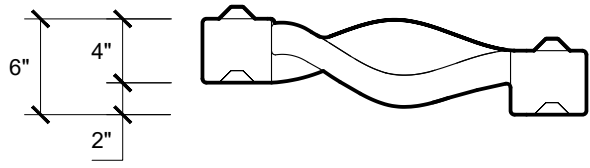


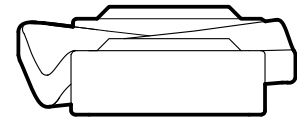
Plan



Axonometric



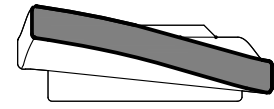
Long Elevation



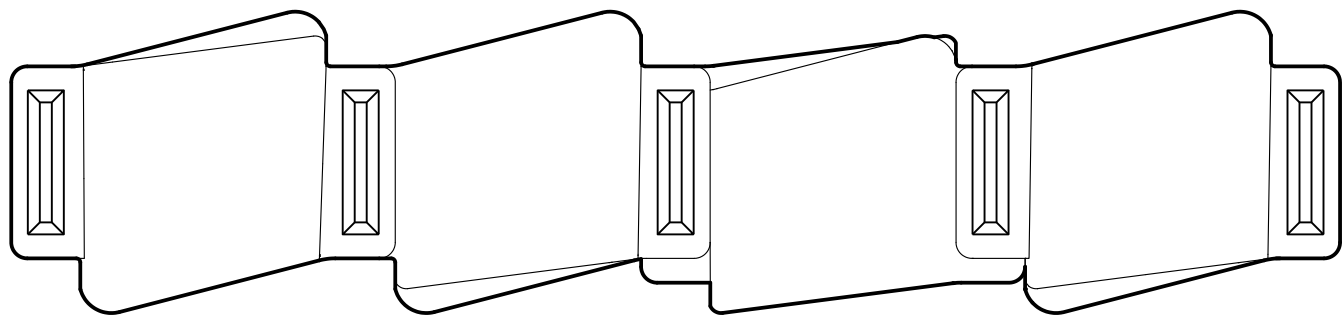
Short Elevation



Long Section



Short Elevation



Plan of Aggregation